

REDEFINING SELF-SERVICE TECHNOLOGY FOR HEALTHCARE CHECK-IN



AUSTIN—FOR HEALTHCARE CHECK-IN DATA SHEET COMPACT AND VERSATILE

The Austin kiosk was meticulously engineered to be the most flexible solution in the kiosk industry. Its compact footprint, attractive aesthetics, and rugged security make it the perfect choice to deploy in any healthcare setting. Dress it up with custom graphics or keep it simple and elegant, the choice is yours.

While this self-service solution is simple in nature, the Austin can be configured in various ways to deliver check-in thoughtfully.

BRINGING EXCELLENCE TO THE PATIENT EXPERIENCE

Self-service kiosks help to improve profitability while reducing operational costs. Not only do kiosks enhance the patient experience, these systems can also redirect staff to spend more time on patient care. It's a win-win solution.

PATIENT BENEFITS

- Reduced time spent in line to check-in
- Fewer errors in data entry
- Enhanced privacy
- Reduced front desk congestion
- Improved patient experience

HEALTHCARE PROVIDER BENEFITS

- Improved patient wait times
- Optimized staffing with reduced overhead costs
- Cost effective co-payment collection (credit card, debit card)
- Improved billing collections
- Secure payment handling
- Improved patient satisfaction
- Increased employee satisfaction

Healthcare Check-in Kiosks are a fast, secure, self-service option for providers that are looking to streamline administrative tasks while enhancing the patient experience with a greater focus on health care. These kiosks are often deployed by:

Hospital Lobbies Pharmacies Admitting Departments Medical Clinics

AUSTIN KIOSK—HEALTHCARE CHECK-IN

FORM AND FUNCTIONALITY FOR PATIENTS

Height Adjustable (HA)



Freestanding (FS)



The Austin Kiosk was created in response to requests for something multi-functional in a small and flexible footprint.

- Available in 4 easy-to-deploy models—Freestanding (FS), Height Adjustable (HA), Desktop (DT), and Wall-mount (WM)
- Several payment device options are available
- The body of the kiosk and the sign panel can be customized using different colors and decals to brand your kiosk and/or identify its purpose
- Cable management fully-enclosed to avoid vandalism or tampering



Desktop (DT)



Wall-mount (WM)



A CLOSER LOOK

AT AUSTIN HEALTHCARE CHECK-IN KIOSKS

STANDARD SPECS— AUSTIN HEIGHT-ADJUSTABLE

- 22" PCAP Touchscreen with Privacy Filter with Micro Form Factor PC
- Height adjustable from 51.1" to 62.9"
- ID Scanner
- Barcode Imager
- Web Camera
- Payment Device Options
- No-effort paddle switch to activate lift and lowering
- Slide-out printer drawer
- Durable powder coat paint finish
- 16 Gauge galvanized steel
- Security locks
- Internal 6-outlet power strip
- Topples resistant base plate with ability to bolt to ground

DIMENSIONS

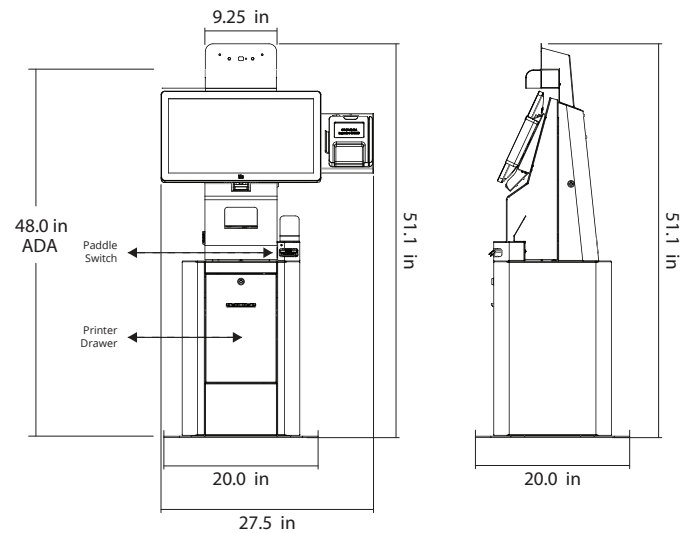
- Width: 27.5"
- Height: Adjusts from 51.1" to 62.9"
- Depth: 20"
- Base plate: 20"w x 20"d

ADDITIONAL INFORMATION

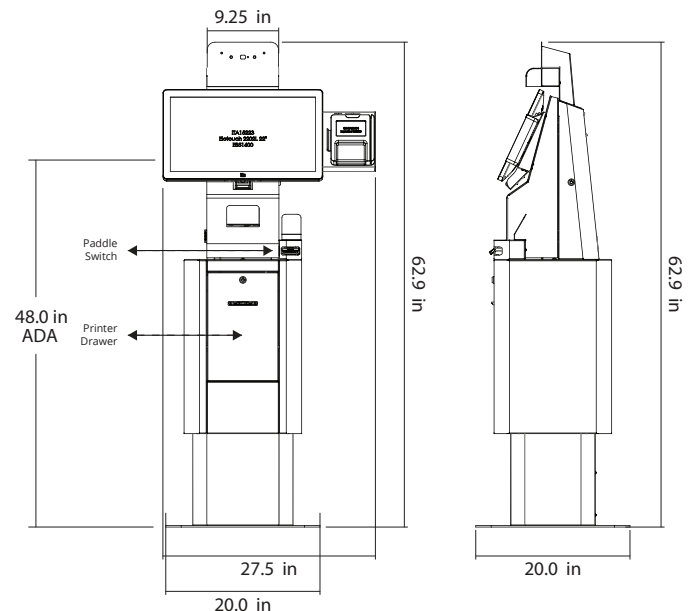
- Weight: 130 lbs.*
- Power: Standard Outlet
- Electrical Draw: less than 5 amp

*Weights are approximate and may vary slightly with changes in peripherals.

DIMENSIONS WITH BASE IN LOWEST POSITION



DIMENSIONS WITH BASE IN HIGHEST POSITION



A CLOSER LOOK

AT AUSTIN HEALTHCARE CHECK-IN KIOSKS

STANDARD SPECS—FREESTANDING

- 22" PCAP Touchscreen with Privacy Filter with Micro Form Factor PC
- ID Scanner
- Barcode Imager
- Web Camera
- Payment Device Options
- Durable powder coat paint finish
- 16 Gauge Galvanized Steel
- Security Locks
- Internal 6-outlet power strip
- Topple resistant base plate with ability to bolt to ground

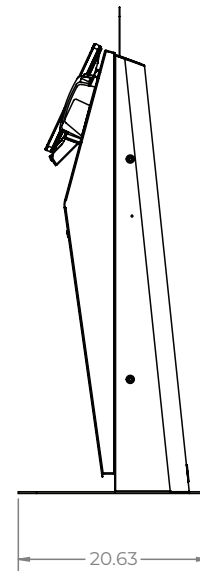
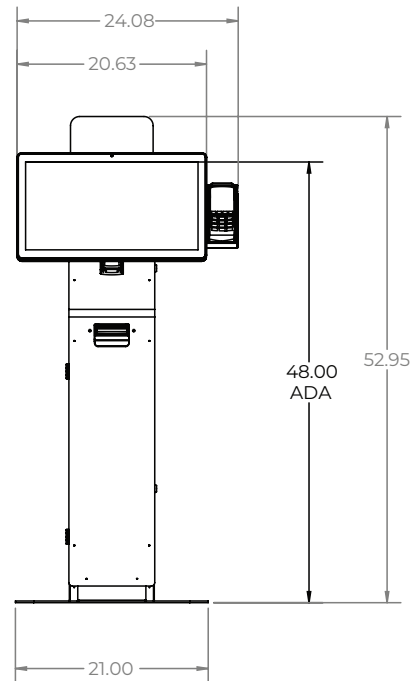
DIMENSIONS

- Width: 24.08"
- Height: 52.95"
- Depth: 20.63"
- Base plate: 21"w x 20.63"D

ADDITIONAL INFORMATION

- Weight: 110 lbs.*
- Power: Standard Outlet
- Electrical Draw: less than 5 amp

*Weights are approximate and may vary slightly with changes in peripherals.



A CLOSER LOOK

AT AUSTIN HEALTHCARE CHECK-IN KIOSKS

STANDARD SPECS—DESKTOP

- 22" PCAP Touchscreen with Privacy Filter with Micro Form Factor PC
- ID Scanner
- Barcode Imager
- Web Camera
- Payment Device Options
- Durable powder coat paint finish
- 16 Gauge Galvanized Steel
- Security Locks
- Internal 6-outlet power strip
- Ability to bolt to table or counter-top

DIMENSIONS

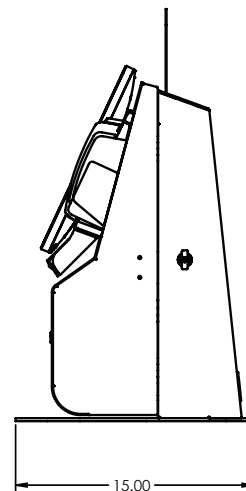
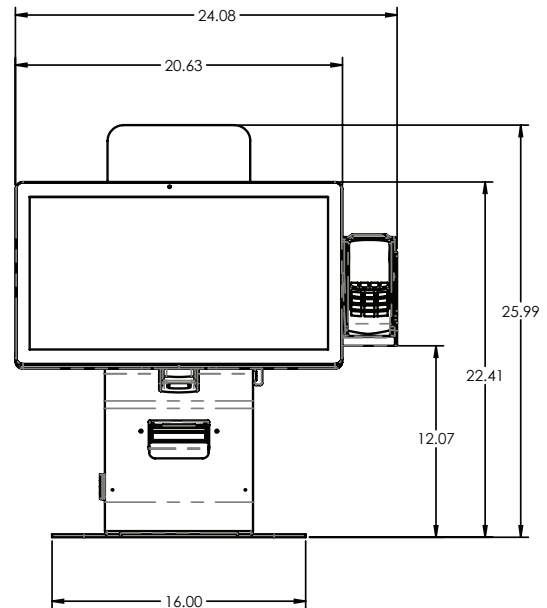
- Width: 24.08"
- Height: 25.99"
- Depth: 15"
- Base plate: 16"w x 15"D

ADDITIONAL INFORMATION

- Weight: 80 lbs.*
- Power: Standard Outlet
- Electrical Draw: less than 5 amp

*Weights are approximate and may vary slightly with changes in peripherals.

**Note: Receipt Size Printer not available on the Desktop.



A CLOSER LOOK

AT AUSTIN HEALTHCARE CHECK-IN KIOSKS

STANDARD SPECS—WALL-MOUNT

- 22" PCAP Touchscreen with Privacy Filter with Micro Form Factor PC
- ID Scanner
- Barcode Imager
- Web Camera
- Payment Device Options
- Durable powder coat paint finish
- 16 Gauge Galvanized Steel
- Security Locks
- Internal 6-outlet power strip

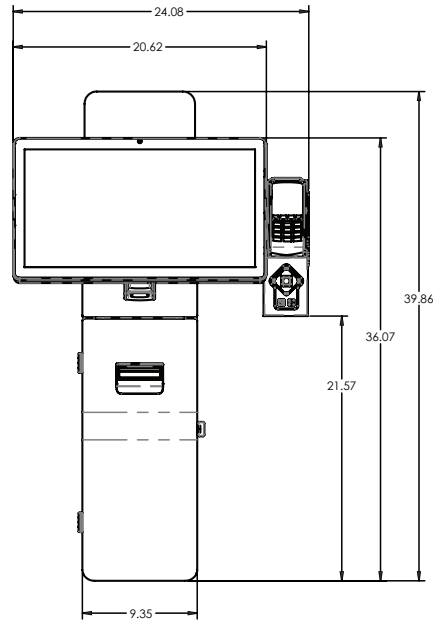
DIMENSIONS

- Width: 24.08"
- Height: 39.86"
- Depth: 10.85"

ADDITIONAL INFORMATION

- Weight: 90 lbs.*
- Power: Standard Outlet
- Electrical Draw: less than 5 amp

*Weights are approximate and may vary slightly with changes in peripherals.



REDEFINING SELF-SERVICE TECHNOLOGY FOR HEALTHCARE CHECK-IN

These feature-packed kiosks are designed modularly to ensure the kiosks can perform a wide variety of functions necessary across any healthcare environment.

OPTIONAL COMPONENTS

The Austin model supports multiple external devices. Our team can help you determine what options might be best for your needs.

- Tilt Bracket
- Anti-Glare Screen
- Storm Audio Nav
- Receipt size printer (not available on Desktop & Wall-Mount)
- Antimicrobial Film



EXPERIENCE MATTERS

Olea has the self-service applications your Healthcare facility needs to enhance the patient experience and the bottom line.

